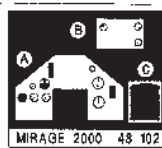
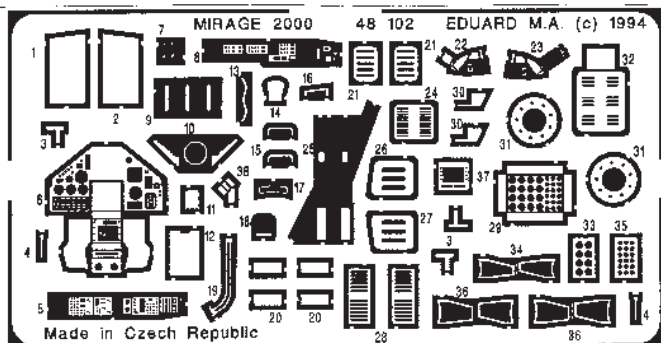








MIRAGE 2000

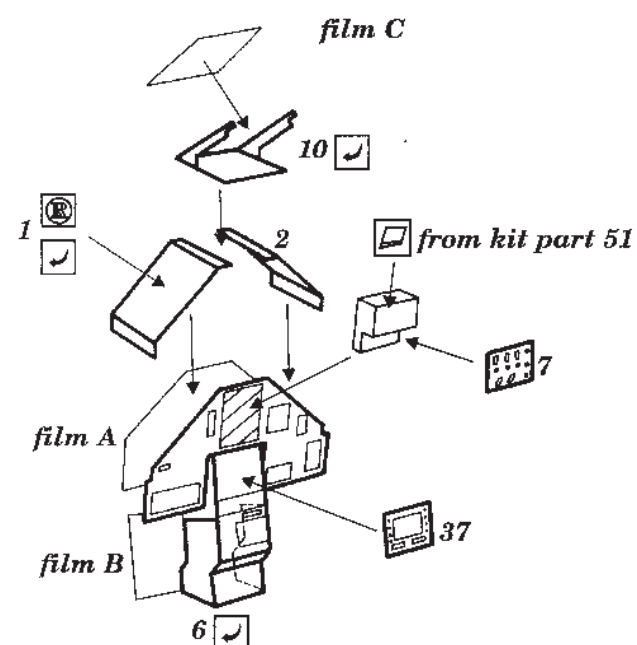
1/48 scale detail set for HELLER kit

48 102

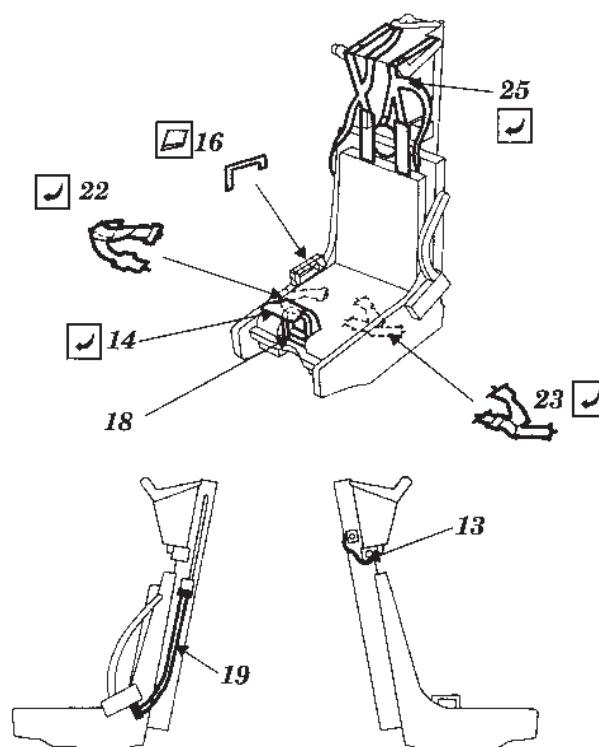


-  OPPOSITE SIDE
-  REMOVE
-  BEND
-  REPLACE

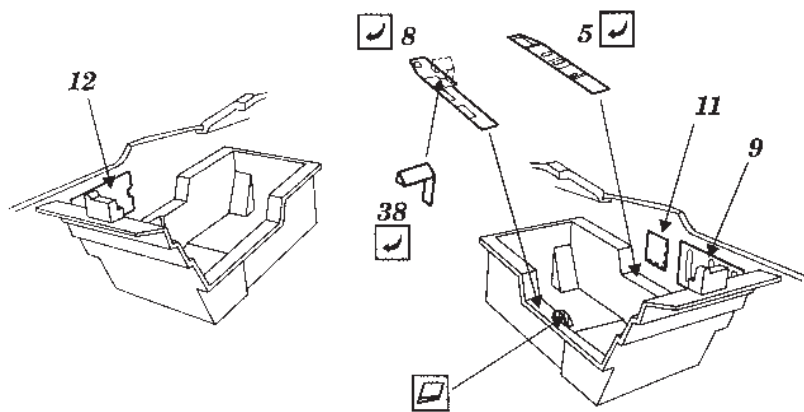
A INSTRUMENT PANEL



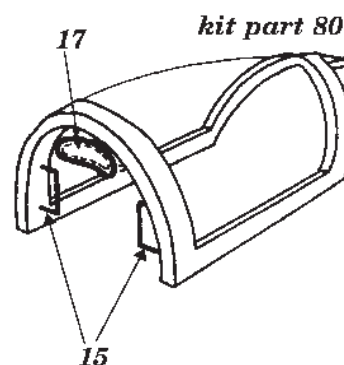
B EJECTION SEAT



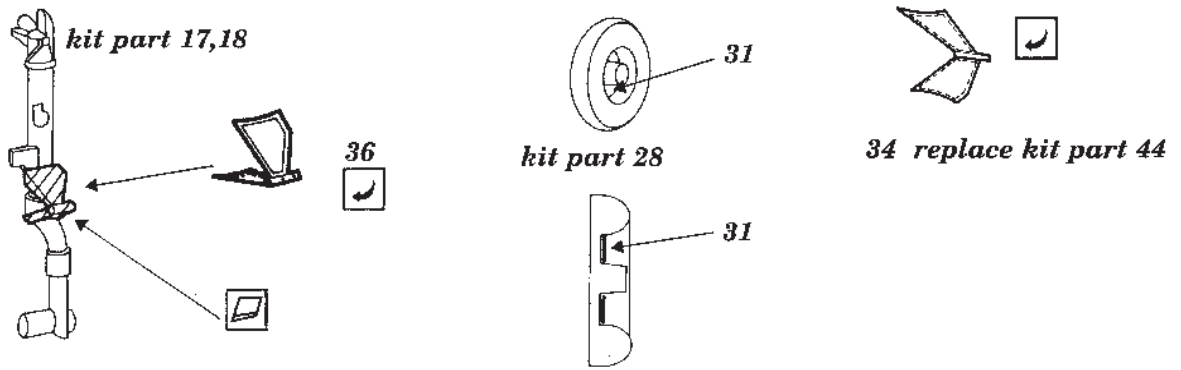
C COCKPIT - INTERIOR



D CANOPY



E UNDERCARRIAGE



F EXTERIOR PARTS - ASEMBLY

