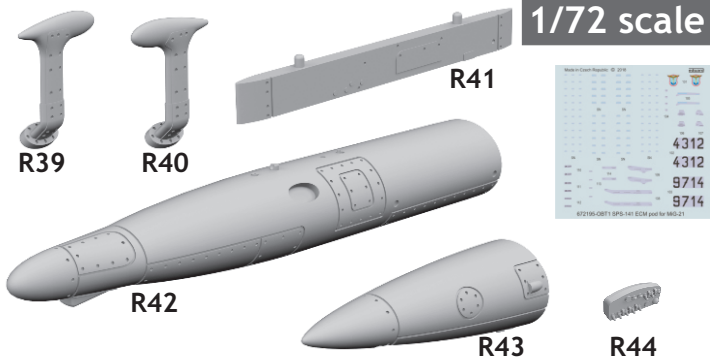


672 195 SPS-141 ECM pod for MiG-21

for Eduard kit - pro stavebnici Eduard



1/72 scale



COLOURS

GSI Creos (GUNZE)		Mr.COLOR	Mr.COLOR SUPER METALIC
AQUEOUS	Mr.COLOR		
H12	C33	FLAT BLACK	SM01
H26	C66	BRIGHT GREEN	
H46		EMERALD GREEN	
H334	C334	GRAY	
			SUPER FINE SILVER

This product contains metal and resin detail parts for upgrading scale plastic models. When selecting this set make sure that it is for the kit mentioned in product name as these sets are made specifically for that kit. When upgrading the model some cutting or corrections may be necessary for parts to fit accurately. **WARNING!** This set contains small and sharp parts. Work carefully in a ventilated and well-lit room. Safety glasses are recommended. This product is not suitable for children below 14 years of age.

Tento výrobek obsahuje leptané a odlévané detaily pro úpravu a vylepšení plastického modelu. Při výběru sady kovových detailů zkontrolujte, zda je určena pro model, který chcete upravit. Model, pro který je sada určena, je uveden u názvu výrobku. Pro přesnou aplikaci kovových a odlévaných dílů může být zapotřebí upravit díly upraveného modelu. **POZOR!** Sada obsahuje malé ostré díly. Pracujte ve větrané a dobře osvětlené místnosti. Doporučujeme použití ochranných brýlí. Tento výrobek není vhodný pro děti mladší 14 let.



435 21 Obrnice 170
Czech Republic

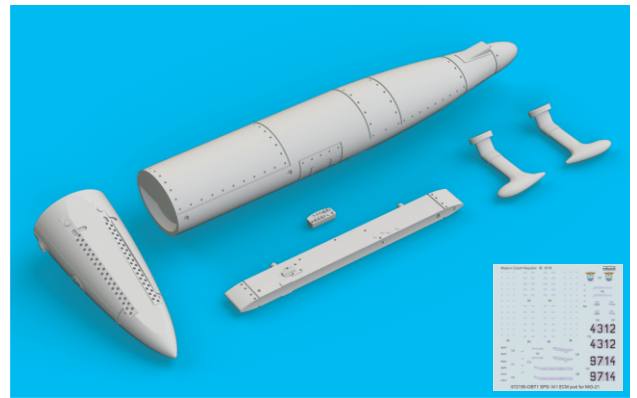
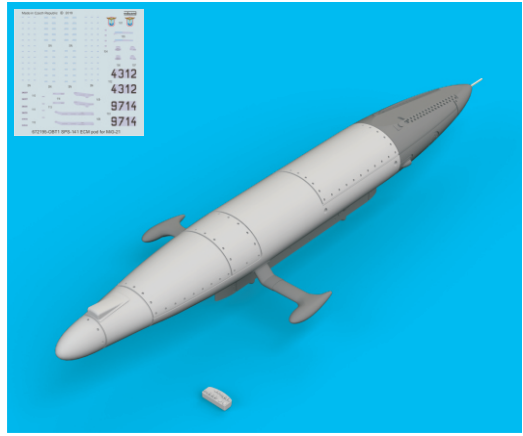
www.eduard.com

10,95



672 195 SPS-141 ECM pod for MiG-21 1/72

for Eduard kit - pro stavebnici Eduard



BEST BRASS RESIN AROUND!

REMOVE ODSTRANIT ✓ BEND OHNOUT

GRIND OBROUSIT ? OPTION VOLBA

DRILL HOLE VRÁTAT OTVOR @ REPLACE NAHRADIT

SYMMETRICAL ASSEMBLY SYMETRICKÁ MONTÁŽ

SCRIBE THE PANEL AND HOLES RYTI

REVERSE SIDE OTOČIT

∅ - 0,2mm
l - 0,6mm

R43

plastic A15

H46 EMERALD GREEN

R44

H12 C33 FLAT BLACK

1

H26 C66 BRIGHT GREEN

SM01 SUPER FINE SILVER

H334 C334 GRAY

R40

R39

R43

wire ∅ - 0,2 mm l - 1 mm

R42

SM01 SUPER FINE SILVER

H334 C334 GRAY

R41

SM01 SUPER FINE SILVER

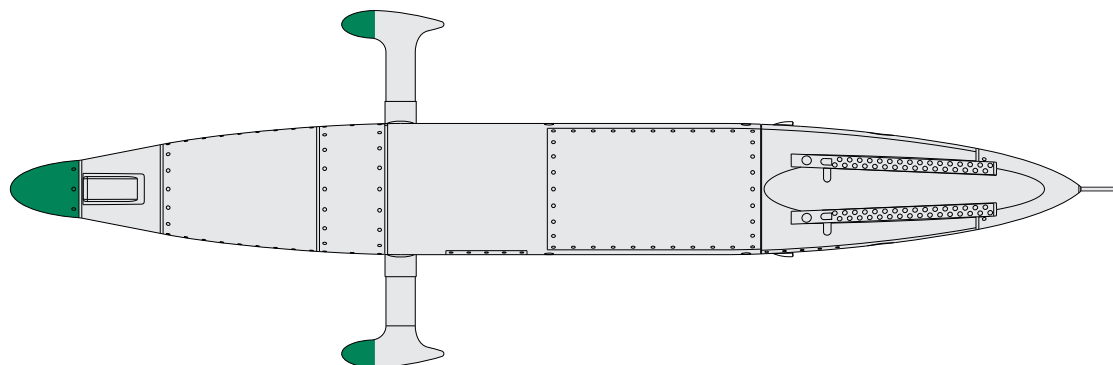
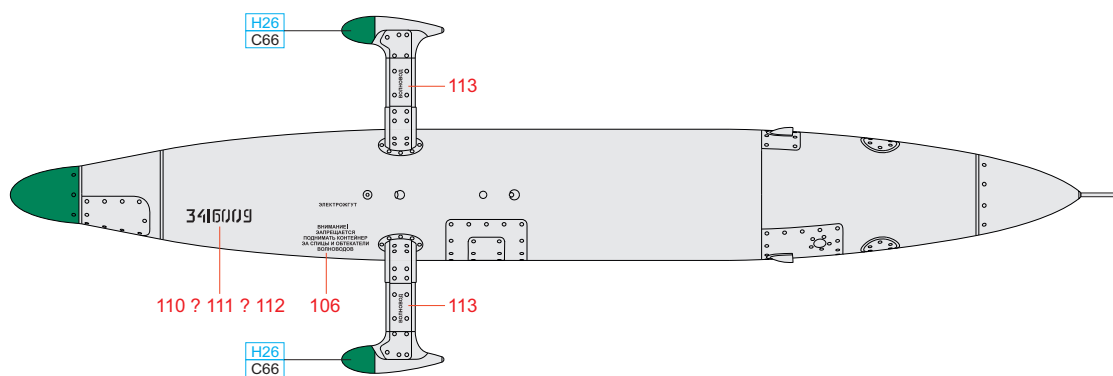
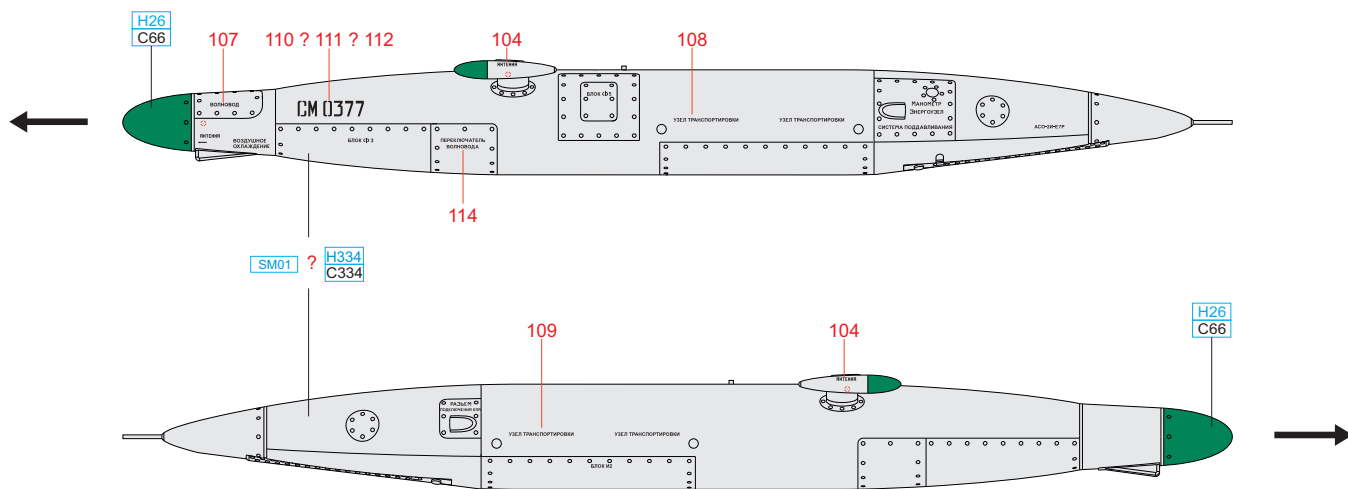
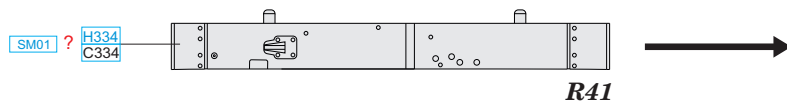
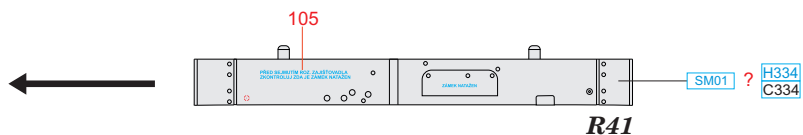
H334 C334 GRAY

2

plastic E10

R44

DECALS: RED NUMBERS - BRASSIN SET 672195
BLACK NUMBERS - EDUARD MiG-21 PLASTIC KIT

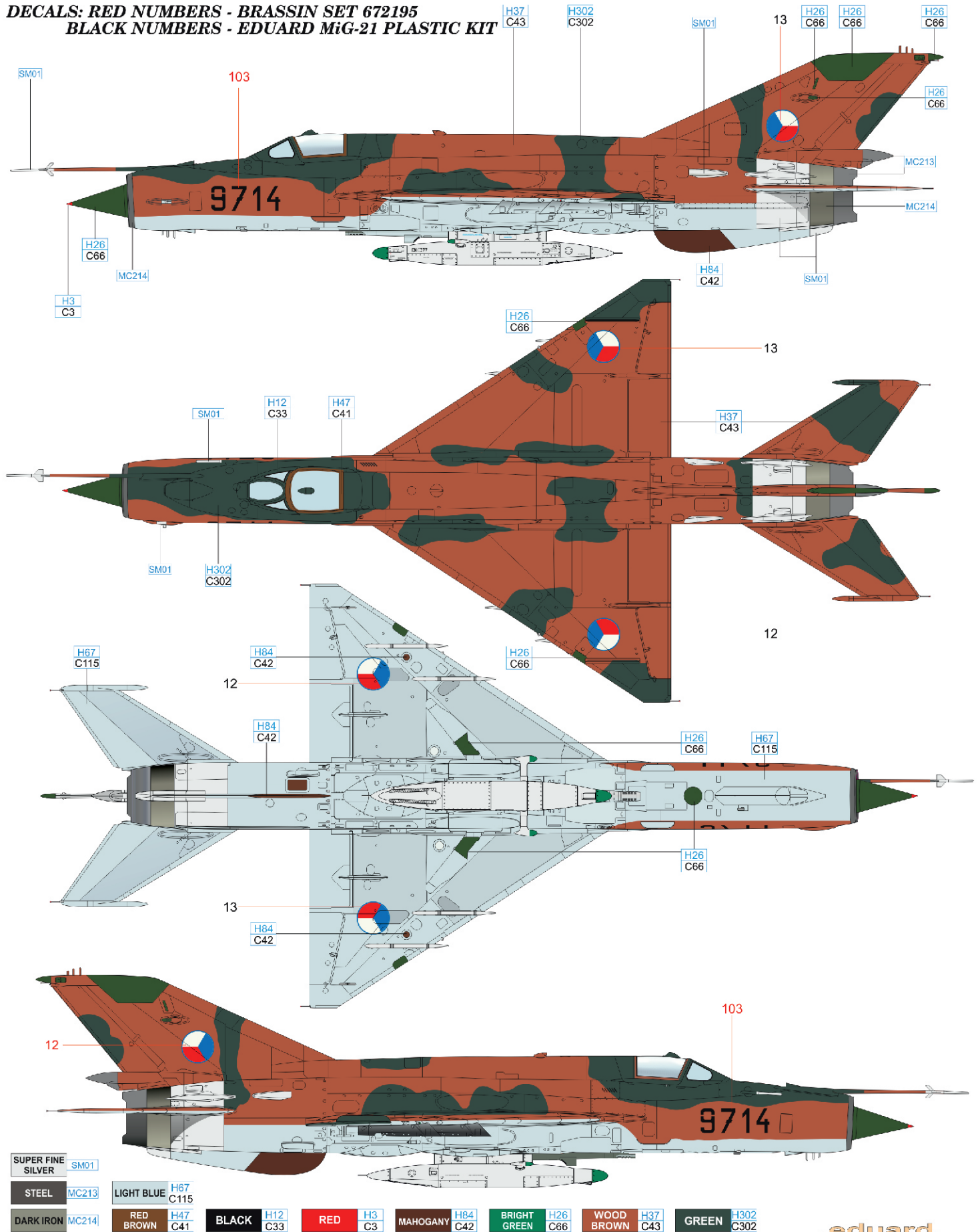


SUPER FINE SILVER SM01	GRAY H334 C334	BRIGHT GREEN H26 C66	FLAT BLACK H12 C33
-------------------------------	-----------------------	-----------------------------	---------------------------

A No. 9714, 1st slp, České Budějovice, Czechoslovakia, 1988/ 1989

This aircraft served with the majority of fighter regiments in the Czechoslovak Air Force. First, it was assigned to the 4th slp (Fighter Air Regiment) in Pardubice (1974-1985), followed by service with the 9th slp in Bechyně (1985) and the 5th slp at Lině. Its ability to carry the SPS-141 ECM pod took it from Planá in České Budějovice to the 3rd Squadron of the 1st slp together with the MiG coded 9709. Between 1989 and 1991 it served with the 8th slp in Brno. From 1991 up to the breakup of Czechoslovakia, it was with the 81st sslt (Independent Fighter Squadron) at Sliač. It was retained by the Czech Air Force after the division of assets between the Czech and Slovak republics. It ended its career with the 82nd sslt at Mošnov and was retired in 1993.

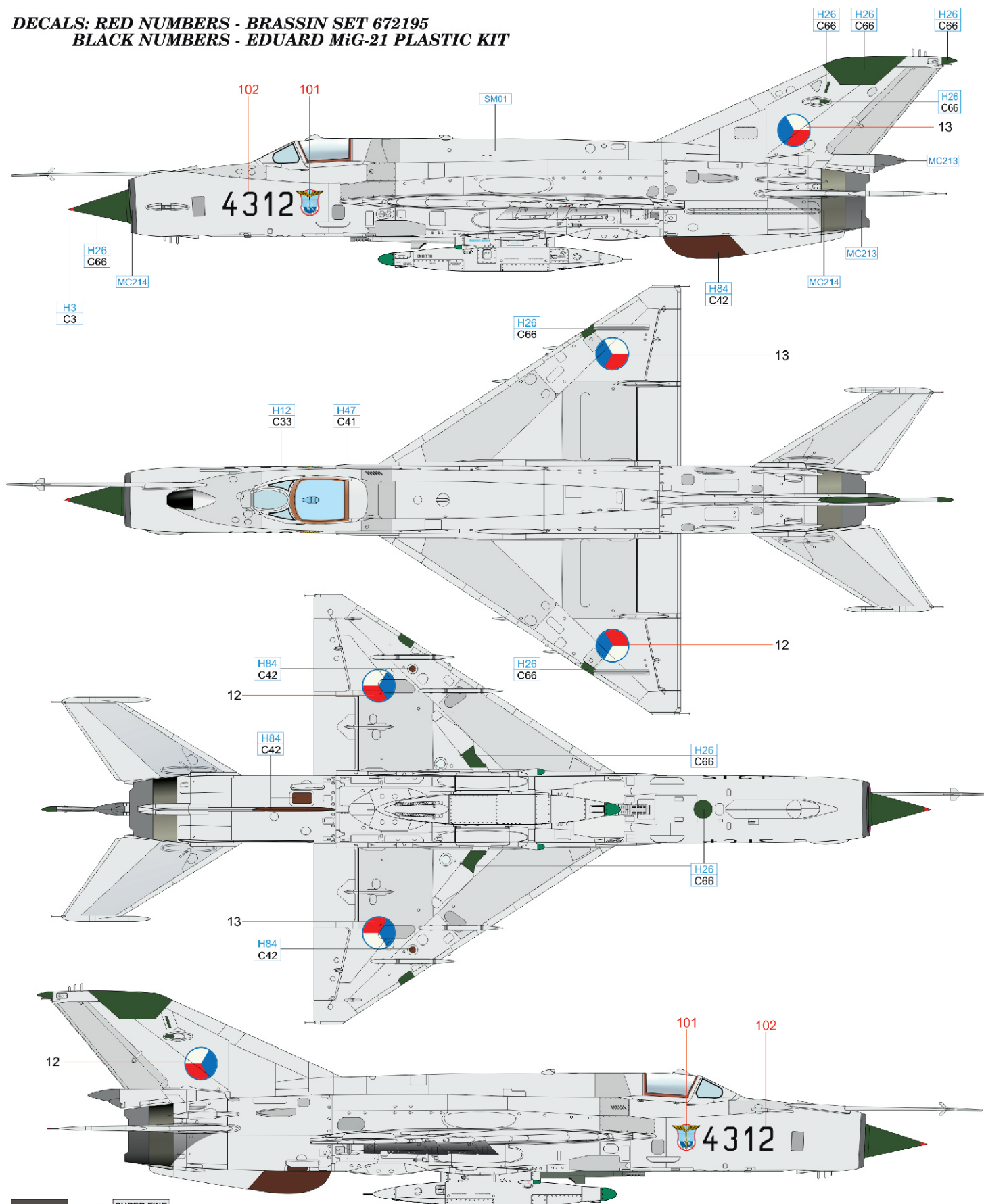
DECALS: RED NUMBERS - BRASSIN SET 672195
BLACK NUMBERS - EDUARD MiG-21 PLASTIC KIT



B No. 4312, 9th slp, Bechyň, Czechoslovakia, 1980s

The SPS-141 ECM pod was carried in the Czechoslovak Air Force by the MiG-21MF and MA using special pylon adaptors under the fuselage. This equipment was designed to jam the Hawk (MIM-23) anti-aircraft defence system and allow four-ship formations of MiG-21s to penetrate into enemy held territory. After serving with the 4th slp (Fighter Air Regiment) at Pardubice, aircraft coded 4312 was transferred to the 9th slp in 1973. Through the mid eighties, the plane went through an upgrade that allowed for the carriage of the SPS-141 pod. The splitting of assets between the newly formed Czech and Slovak republics allocated the aircraft to the Slovak side. It was retired in 1997. Throughout its entire service career, the aircraft carried no camouflage scheme.

DECALS: RED NUMBERS - BRASSIN SET 672195
BLACK NUMBERS - EDUARD MiG-21 PLASTIC KIT



STEEL	MC213	SUPER FINE SILVER	SM01
DARK IRON	MC214	RED BROWN	H47 C41
		MAHOGANY	H84 C42
		BRIGHT GREEN	H26 C66
		RED	H3 C3
		BLACK	H12 C33

eduard